

## ZARF40100-L-TV

Needle roller/axial cylindrical roller bearing

Schaeffler ID:  
0016824660000

Needle roller/axial cylindrical roller bearings ZARF...-L, double direction, for screw mounting, long shaft locating washer

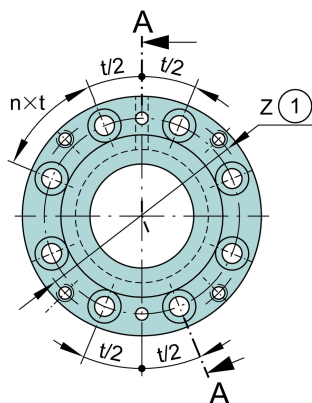
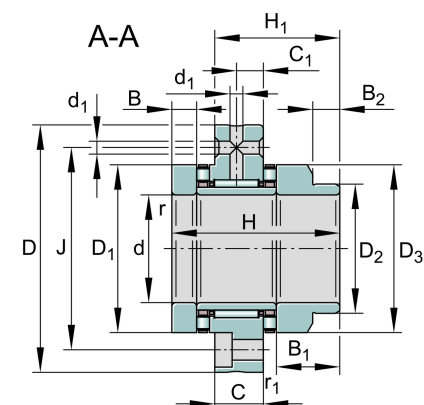
### Technical information

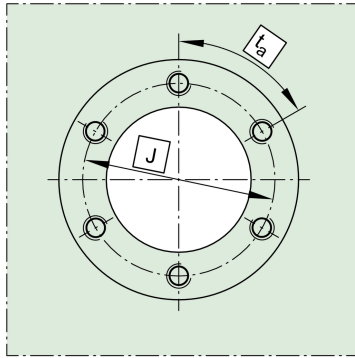
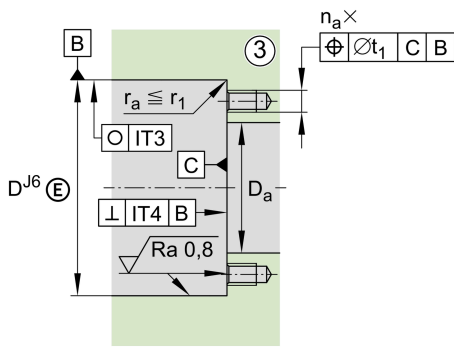
#### Main Dimensions & Performance Data

d	40 mm	Bore diameter
D	100 mm	Outside diameter
H	70 mm	Height
$C_a$	59.000 N	Basic dynamic load rating, axial
$C_{0a}$	163.000 N	Basic static load rating, axial
$C_r$	27.500 N	Basic dynamic load rating, radial
$C_{0r}$	53.000 N	Basic static load rating, radial
$C_{ua}$	14.200 N	Fatigue load limit, axial
$C_{ur}$	7.600 N	Fatigue load limit, radial
$n_{G\ Oil}$	4.400 1/min	Limiting speed for oil lubrication
$n_{G\ Grease}$	1.600 1/min	Limiting speed for grease lubrication
$M_{RL}$	1 Nm	Bearing friction torque
	1,299 kg	Weight

#### Mounting dimensions

$D_{a\ max}$	66 mm	Maximum diameter of housing shoulder
$d_{a\ min}$	48 mm	Minimum diameter shaft shoulder





### Dimensions

$H_1$	51 mm	Height outer ring over wave washer
$C$	18 mm	Width, outer ring
$C_1$	10 mm	Distance to lubrication hole
$D_1$	65 mm	Rip diameter shaft washer
$D_2$	50 mm	Heeldiameter wave washer long
$D_3$	63 mm	Outside diameter wave washer long
$B$	11 mm	Width, wave washer
$B_1$	27 mm	Width wave washer long
$B_2$	14 mm	Width heel wave washer long
$r_{\min}$	0,3 mm	Minimum chamfer dimension
$r_{1 \min}$	0,6 mm	Minimum chamfer dimension 1
$d_1$	3,2 mm	Diameter lubrication hole
$J$	80 mm	Pitch circle diameter (holes)
$n$	8	Number (screwing holes)
$n \times t$	45 °	Split

### Temperature range

$T_{\min}$	-30 °C	Operating temperature min.
$T_{\max}$	120 °C	Operating temperature max.

### Additional information

$c_{aL}$	2.800 N/μm	Rigidity axial
$c_{kL}$	1.030 Nm/mrad	Tilting stiffness
$M_m$	4,35 kg*cm <sup>2</sup>	Mass moment of inertia
	1 μm	Axial runout
radial	ZMA40/62	Recommended INA precision locknut for radial locking (not included)
axial	AM40	Recommended INA precision locknut for axial locking (not included)
$M_A$	55 Nm	Tightening torque nut
	14.240 N	Required locknut force
	50X65X8	Rotary shaft seal to DIN 3760 (not included)
	M8	Size fixing screws DIN EN ISO 4762 10.9 (not included)
$n_a$	8	Number of screws
$na \times ta$	45 °	Division (screwing holes)

